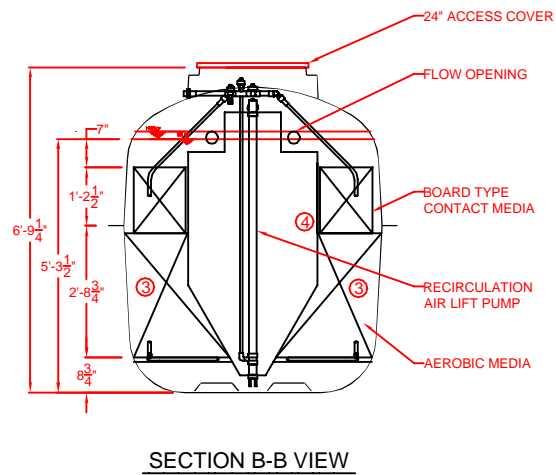
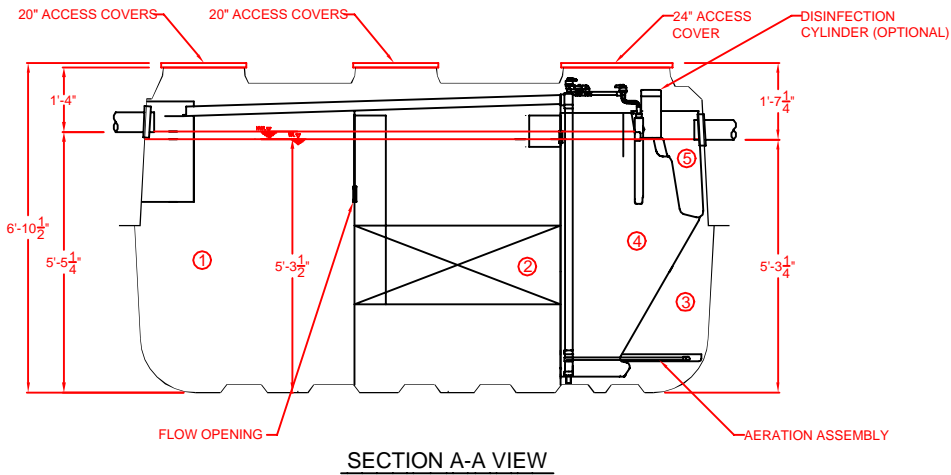
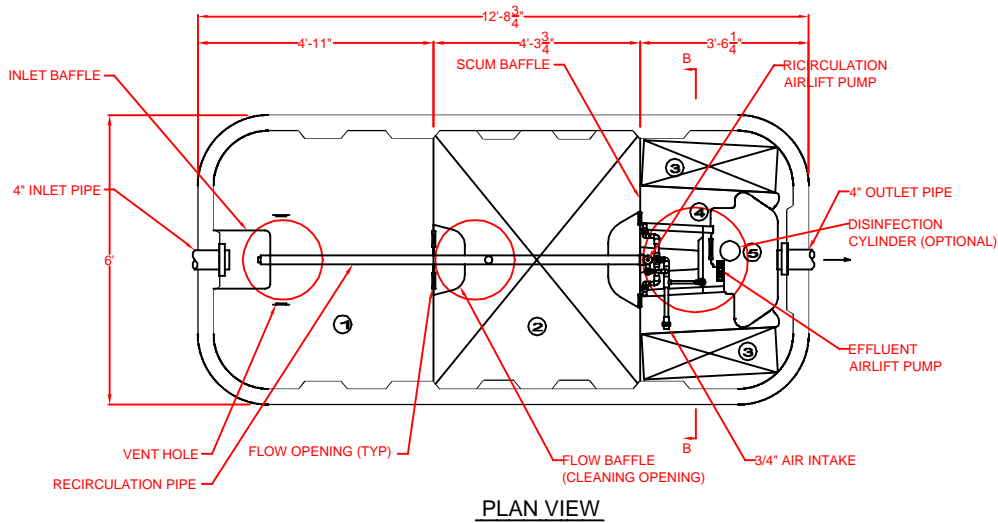


| CHAMBER | | Volume (gal) |
|--------------|------------------------------------|--------------|
| ① | Sedimentation Chamber | 837 |
| ② | Anaerobic Filtration Chamber | 839 |
| ③ | Aerobic Contact Filtration Chamber | 378 |
| ④ | Clarification Chamber | 186 |
| ⑤ | Disinfection Chamber | 12 |
| Total Volume | | 2,252 |

| SPECIFICATIONS | |
|--------------------------|---------------------|
| Anaerobic Media | PP / PE |
| Board Type Aerobic Media | PVC / PP / PE |
| Aerobic Media | PP / PE |
| Blower | 7 cfm |
| Tank | FRP |
| Piping | PVC / PP / PE |
| Access Covers | Plastic / Cast Iron |
| Disinfectant (Optional) | Chlorine Tablets |



CE-21
Structural Drawing

DATE: 03/21/2021 SCALE: 1/4" = 1"