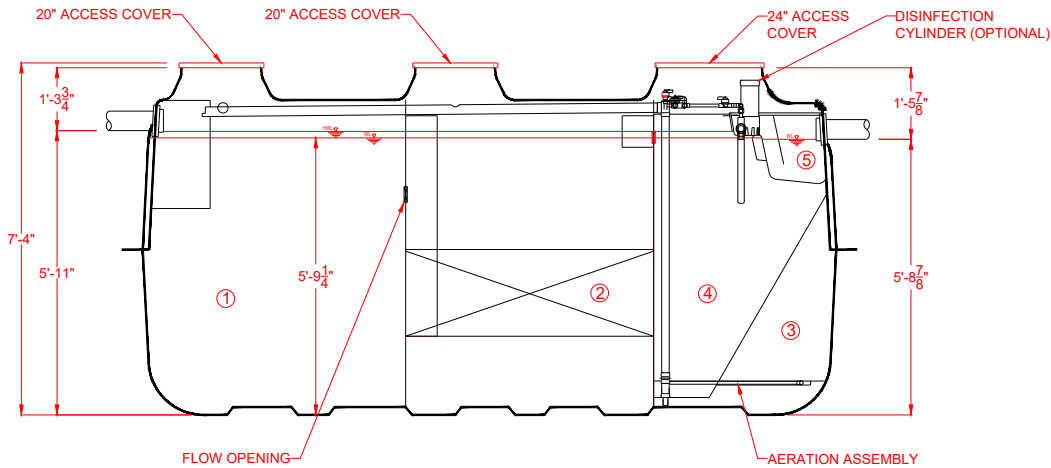


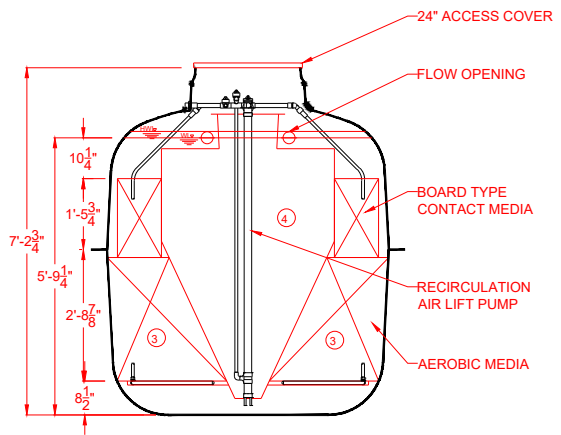
PLAN VIEW

CHAMBER		Volume (gal)
①	Sedimentation Chamber	1,200
②	Anaerobic Filtration Chamber	1,198
③	Aerobic Contact Filtration Chamber	550
④	Clarification Chamber	268
⑤	Disinfection Chamber	17
Total Volume		3,233


SPECIFICATIONS	
Anaerobic Media	PP / PE
Board Type Aerobic Media	PVC / PP / PE
Aerobic Media	PP / PE
Blower	10.6 cfm
Tank	FRP
Piping	PVC / PP / PE
Access Covers	Plastic / Cast Iron
Disinfectant (Optional)	Chlorine Tablets



SECTION A-A VIEW



SECTION B-B VIEW

  
 Toward Clean Water...  
**CE-30**  
**Structural Drawing**  
 DATE: 03/21/2021    SCALE: 1/4" = 1"