

DATE _____

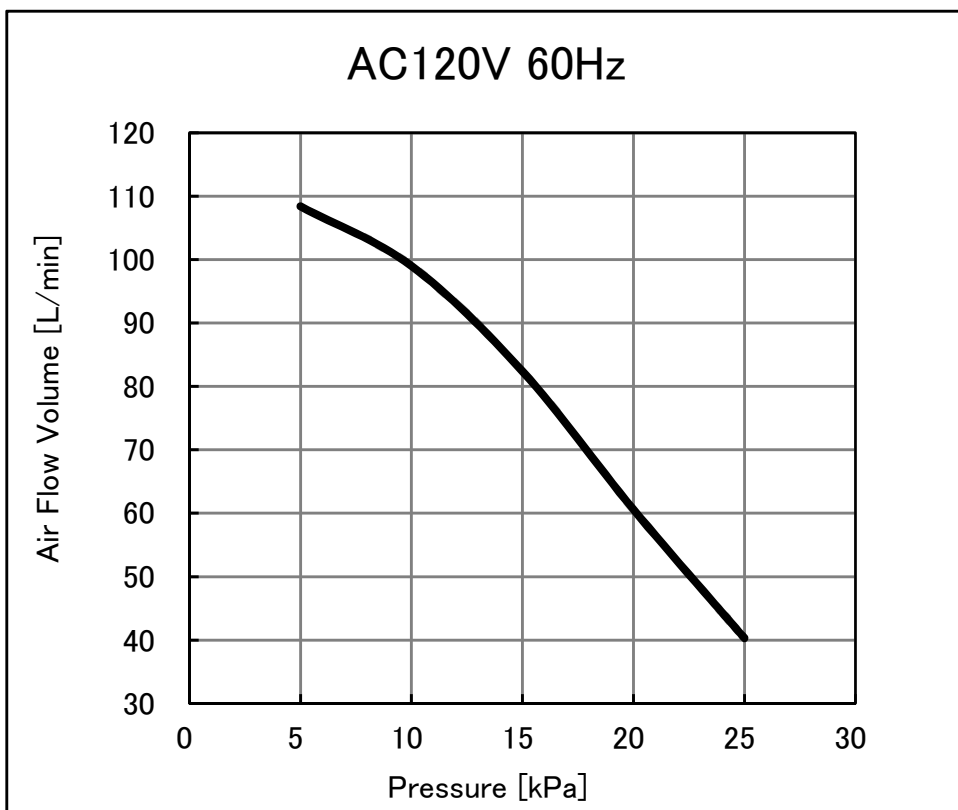
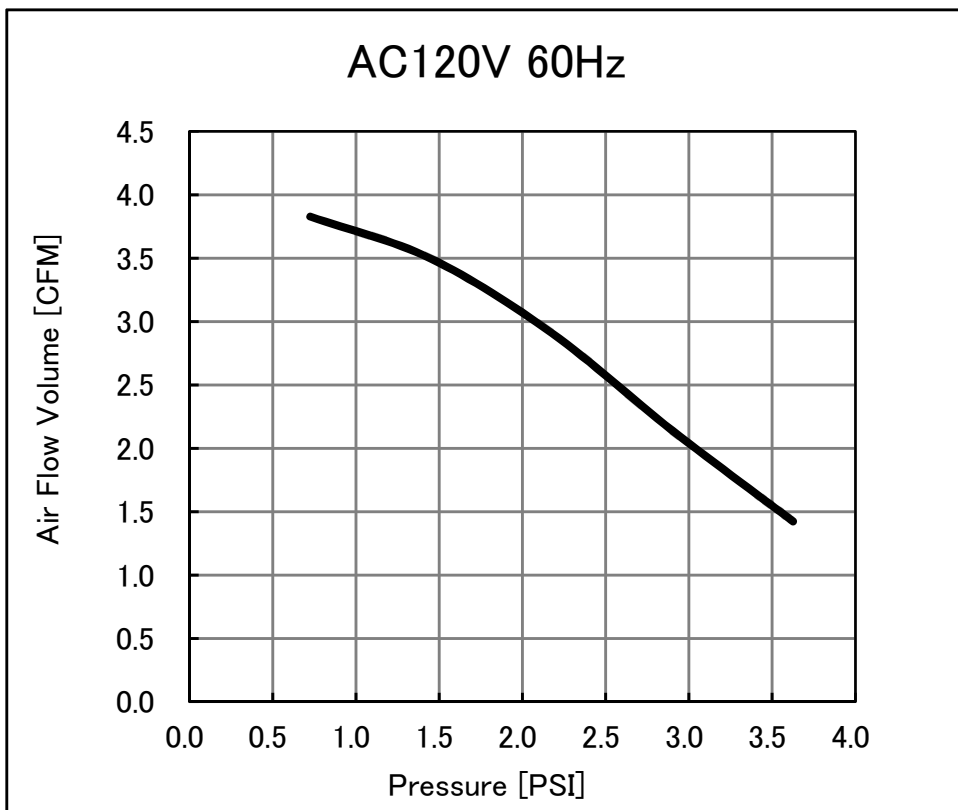


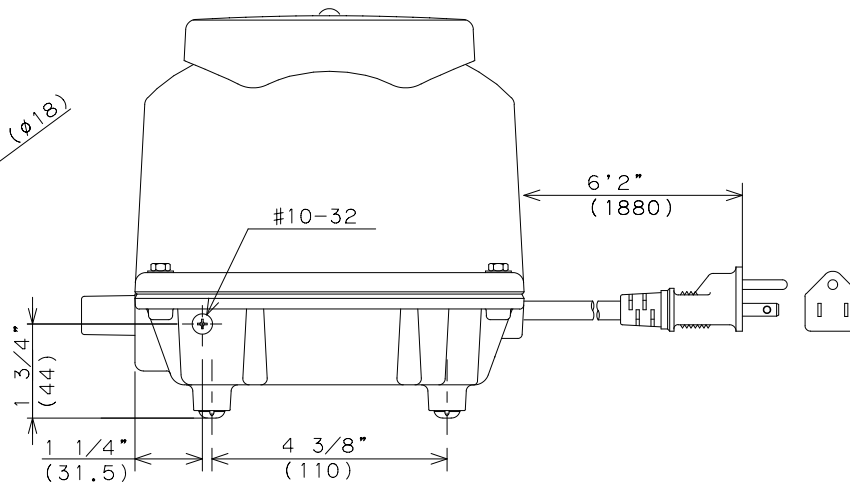
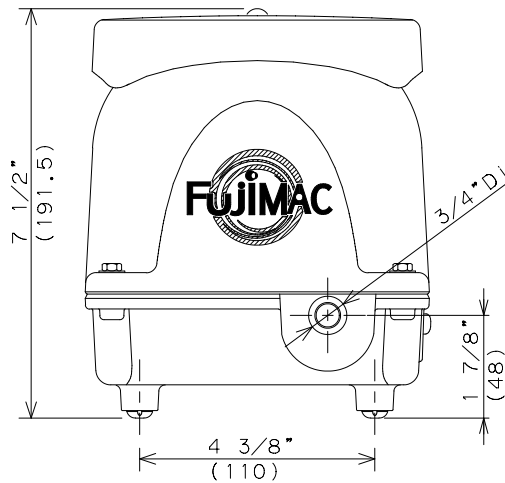
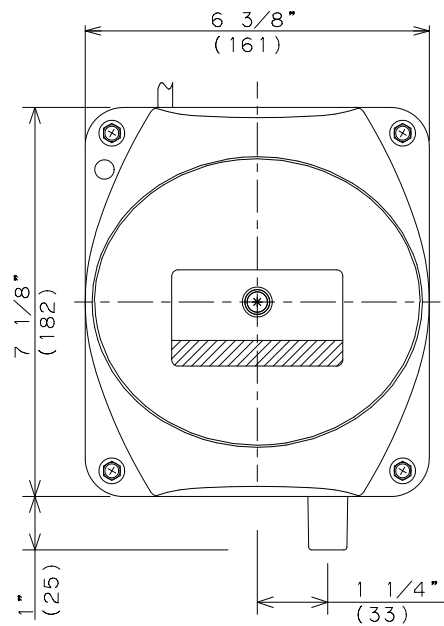
"MAC80RII" Specifications
(120V)

Ver.200806

Specification List

Model		MAC80RII
UL file number		UL E341420
Typical Applications		Aeration, etc.
Rated	Voltage Range and Frequency	AC 120 V \pm 10 V 60 Hz
	Proper Pressure Range	2.2 PSI \pm 20%
		15 kPa \pm 20%
	Insulate Class	A
Rating	Continuous	
Exterior	Dimensions	6 ³ / ₈ " X 7 ¹ / ₈ " X 7 ¹ / ₂ "
		161 mm X 182 mm X 191.5 mm
	Color	White
	Weight	approx. 11 lbs (5 kg)
	Outlet Pipe Size	O.D. 3/4" (ϕ 18 mm)
Normal Operation and Performance	Power Cord	6'2" (1880 mm)
	Input Voltage	AC 120 V 60 Hz
	Normal Pressure	2.2 PSI (15 kPa)
	Current	1.0 A or less
	Electricity Consumption	51 W
	Air Flow Volume	2.8 CFM (2.52 CFM more)
		80 L/min (72 L/min or more)
	Noise Level (at 3 ¹ / ₄ ft)	50 dBA or less
	Temperature Increase (at 77 °F)	Solenoid : 135 °F (75 °C) or less, Surface : 81 °F (45 °C) or less
	Insulation Resistance	1.0 M Ω or more (DC 500 V)
Withstand Voltage	AC 1500 V - 1 min	
Environment	Aging Performance	Initial performance should remain
	Temperature Range	-4 °F to 104 °F (-20 °C to 40 °C)
	Humidity	90% or less
	Installation Orientation	Install horizontally
	Other	No oil, corrosive gas, nor explosive gas





Specifications				
Model		MAC60RII	MAC80RII	MAC100RII
Air Flow Volume	CFM	2.1	2.8	3.5
	L/min	60	80	100
Normal Pressure	PSI	2.2	2.2	2.6
	kPa	15	15	18
Rated Voltage	V	AC120		
Frequency	Hz	60		
Power Consumption	W	37	51	74
Weight	lbs.	Approx.11	Approx.11	Approx.11
	kg	Approx.5	Approx.5	Approx.5
Outlet Pipe Diameter	inch	3/4"		
Power Cord Length	inch	6'2"		
UL file number		E341420		
Country of origin		Japan		

Installation / Operation & Maintenance Notes:

- Install blower on leveled solid base. Ensure adequate ventilation and protect against direct sunlight.
- Inspect and clean internal air filter once every 3 months.
- Recommend diaphragm / valve assembly replacement once every 12 months.
(Note: a torn diaphragm will trigger the Automatic-Stop function.)
- Please make sure to follow the instruction manual.

All drawing measurements in inches(mm).

TITLE MAC60RI/80RI/100RI	APPROVAL DATE 05-10-2017	
	SIZE A3	SCALE 2:5
FujiMAC	DWG NO	
	T10009Z1-H4	

