

COUNTY OF SUFFOLK



STEVEN BELLONE
SUFFOLK COUNTY EXECUTIVE

DEPARTMENT OF HEALTH SERVICES

GREGSON H. PIGOTT, M.D., M.P.H.
Commissioner

August 31, 2023

Mr. John M. Spritzer III, P.E.
Delta Specialty Precast Concrete Engineers
860 Hooper Road
Endwell, NY 13760
Sent via e-mail: precast@delta-eas.com



Re: NS-009 990 Gallon HS-20 Pretreatment Tank

Dear Mr. Spritzer,

The Suffolk County Department of Health Services, Division of Environmental Quality, Office of Ecology has received and reviewed your design drawings and computations prepared for Advanced Wastewater Solutions., Project No. 2023.030.002, with your signature and sealed on 8/15/2023 for the "5'-8" x 6'-6" ID 990-Gallon Pretreatment Tank Designed for HS-20 Live Load".

Based on the information provided, the Department of Health Services approves the use of this 990 gallon tank in traffic areas with a maximum burial depth of 2.5-feet. A copy of this letter and the signed and sealed design report will remain on file in the Office of Wastewater Management for future reference.

If you have any questions, please do not hesitate to contact me at (631) 852-5811.

Sincerely,

Ken Zegel, P.E.
Principal Public Health Engineer
Chief, Office of Ecology

cc: John Sohngen, P.E. (SCDHS)
Vincent Ernst (Delta)
Kevin McGowin & Bryan McGowin (Advanced Wastewater Solutions)
Peter Mercurio (Coastal Pipeline Products)



DIVISION OF ENVIRONMENTAL QUALITY
Office of Ecology
360 Yaphank Avenue, Suite 2B, Yaphank NY 11980
P:(631) 852-5750 F:(631) 852-5812

Project Number: 2023.030.002

DESIGN COMPUTATIONS FOR

5'-8" Diameter x 6'-6" ID
990-Gallon Pretreatment Tank
Designed for HS-20 Live Load



8-15-23

PREPARED FOR:

Advanced Wastewater Solutions
Post Office Box 1622
Southampton, NY 11969

PREPARED BY:



860 Hooper Road, Endwell, New York 13760
 TEL: 607-231-6600 FAX: 607-231-6650
 EMAIL: precast@delta-eas.com
www.delta-eas.com



ACCEPTED BY THE SUFFOLK COUNTY DEPARTMENT OF HEALTH SERVICES
 (DEPARTMENT) BASED ON INFORMATION PROVIDED BY ENGINEER.

SCDHS Approval No.: NS-009

The Department has reviewed this submittal for completeness and is hereby approved for use in Suffolk County. This approval is solely for the model(s), units(s) and/or structure(s) included in the engineering design drawings and calculations provided by the licensed design professional(s). Any changes or modifications to the approved design must be submitted for review and approval by the Department prior to its use in Suffolk County. The Department is not responsible for any errors, omissions, failures, construction defects or installation errors that may occur due to design professional, manufacturer, distributor or installer oversight or negligence.

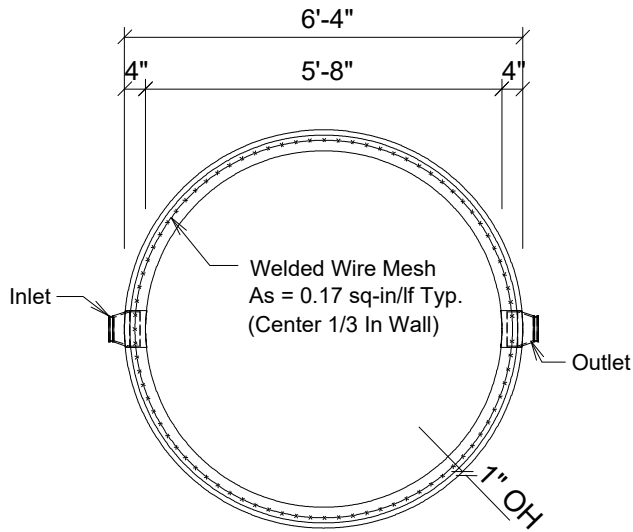
08/31/2023

APPROVAL DATE

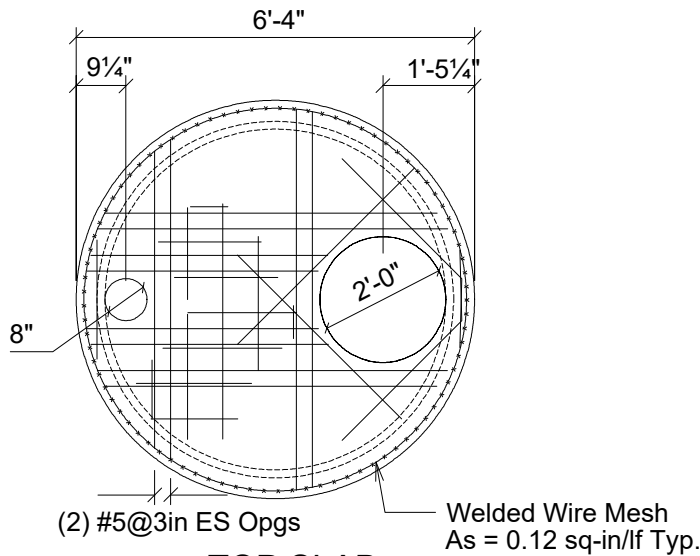
Ken Zegel, P.E.

SPECIFICATIONS

1. Design in Accordance With ASTM C478 For AASHTO HS-20 Loading.
2. Earth Load = 0 - 2.5ft
3. Concrete 4000psi @ 28 Days
4. Rebar - ASTM A-615 Grade 60 Welded Wire Mesh ASTM A-1064
5. Concrete Cover 1 1/4 UNO
6. Storage Capacity 188.66 Gallons per ft
7. Additional Reinforcing Around Openings Equal to the Bars Interrupted, Half Each Side
8. Openings Trimmed with Diagonal #4 Bars Extended Min 12" Beyond Openings, Bent To Maintain Bar Cover
9. Ground Water Table At Finished Grade.
10. Buoyancy Safety Factor = 1.50



PLAN

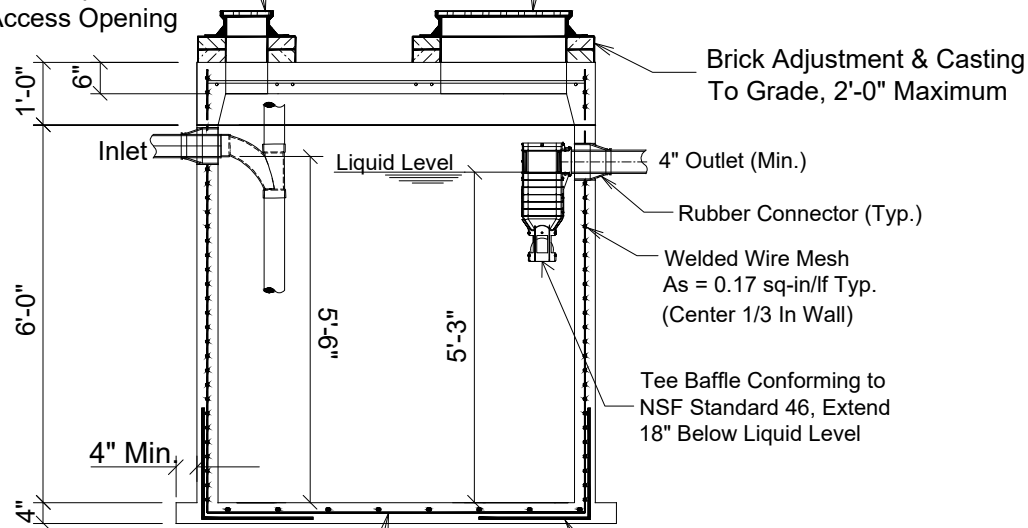


TOP SLAB

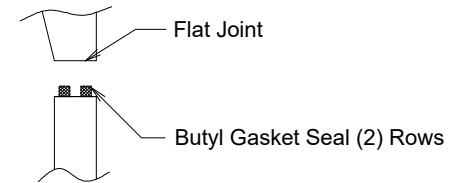
Note:
Precast Manufacturer will be identified by an Imprinted Label on the Interior Wall of the Tank

10" Diameter Campbell Pattern 4155 Or Approved Equal for 8"Ø Access Opening

24" Diameter Campbell Pattern 1007 "SANITARY" Or Approved Equal



SECTION



JOINT DETAIL

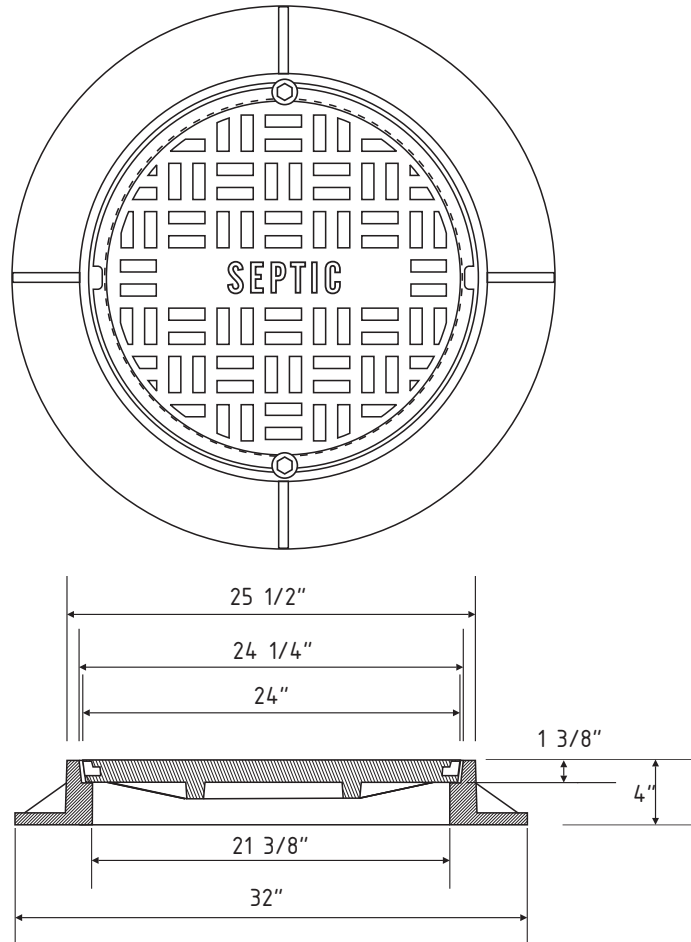
Advanced Waster water Solutions

Product: 990 Gallon Pre-Treatment Tank

Proj	date	dwn. by	dwg. no.
23-0721	8/15/23	VCE	PT-990


1007B

Heavy Duty Manhole Frame and Bolted Cover



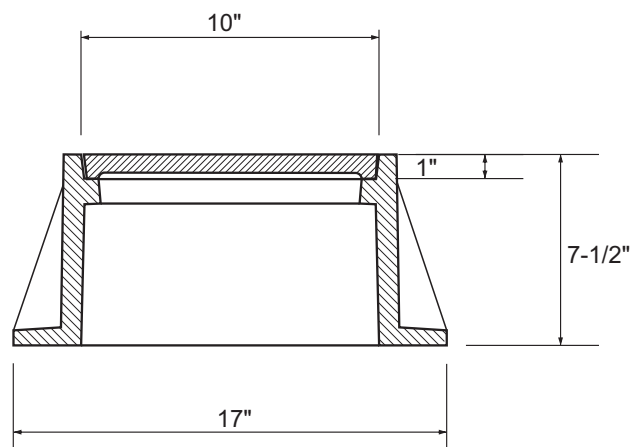
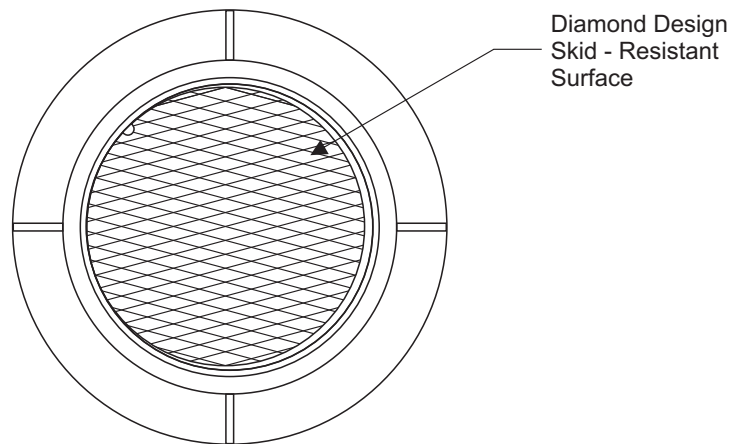
Notes:

1. Material: Gray Cast Iron, ASTM A48-83, Class 30B;
2. AASHTO HS20-44 Highway Loading;
3. Bearing surface at seat of cover and frame shall be machined for uniform fit;
4. Cover shall have two non-penetrating pick holes and be bolted to frame with two recessed equally spaced 1/2"-13 stainless steel hex head bolts;
5. Castings supplied without surface coating;

	CAMPBELL FOUNDRY COMPANY	
	Harrison, N.J. 07029	
Phone: 973-483-5480		FAX: 973-483-1843
SCALE:	APPROVED BY:	DRAWN BY: D.L.
DATE: 02/06/06		REV:
Heavy Duty Manhole Frame and Bolted Cover		
Pattern Number: 1007B		


4155

Heavy Duty Manhole Frame and Cover



Notes:


1. Material: Gray Cast Iron, ASTM A48-83, Class 30B;
2. AASHTO HS20-44 Highway Loading;
3. Bearing surface at seat of cover and frame shall be machined for uniform fit;
4. Castings supplied without surface coating.

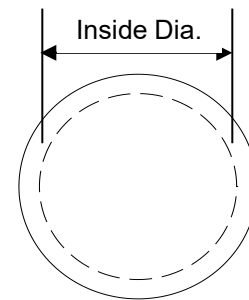
 CAMPBELL FOUNDRY COMPANY Harrison, N.J. 07029 Phone: 973-483-5480 FAX: 973-483-1843		
SCALE: 1 1/2" = 1'-0"	APPROVED BY:	DRAWN BY:
DATE: 09/28/03		REV.:
<h2>Heavy Duty Manhole Frame and Cover</h2>		
Pattern Number: 4155		

JOB:	2023.030.002
DESCRIPTION:	990 Gallon Pretreatment Tank
SHEET NO.:	of
CALCULATED BY:	ARN Date 5/9/23
CHECKED BY:	Date

PRECAST ROUND MANHOLE DESIGN DESCRIPTION

Inside Diameter (I.D.) =	5.67 ft
Wall Height (I.D.) =	6.50 ft
Wall Thickness =	4.00 in
Base Slab Thickness =	4.00 in
Cover Slab Thickness =	6.00 in
Earth Cover (Min.) =	0.00 ft
Earth Cover (Max) =	2.50 ft
Min. Watertable Depth =	0.00 ft

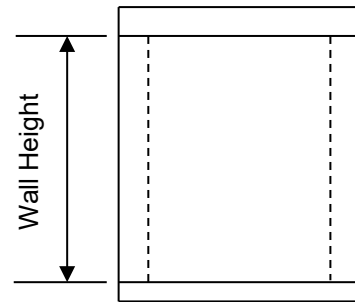
 Denotes input field



**Round Manhole
Plan View**
(All dimensions I.D.)

TECHNICAL DATA

Concrete Strength (f'c) =	4.0 ksi
Yield Strength (fy) =	60 ksi
Equivalent Lateral Fluid Pressure =	0.091 kcf
LL Surcharge =	0.08 ksf
Depth Below F.G. to Apply Surcharge =	8.00 ft
Unit Weight of Soil =	120 pcf
Unit Weight of Concrete =	150 pcf
$E_c = 57,000 * \sqrt{f'c}$ =	3.60E+06 psi
E_s =	2.90E+07 psi
$n = E_s / E_c$ =	8.0
$\beta_1 = (.85 - .05(fc-4))$ =	0.85
$f_r = 7.5 \sqrt{f'c}$ =	474 psi
Rho max = (.75 ρ_b) =	0.0213801
Z_{max} =	130 Severe Exposure
Design Wheel Load (Pw) =	16 kips AASHTO HS20
Uniform Live Load =	0 psf



**Round Manhole
Elevation View**
(Joints not shown for clarity)
(All dimensions I.D.)

Capacity Reduction Factors:

ϕ - Moment =	0.90
ϕ - Shear =	0.85

Load Factors:

γ =	1.30
β - LL =	1.67
β - DL =	1.00
β - EL =	1.30

References:

1. "Specifications for Highway Bridges, 17th Ed." - AASHTO
2. "Building Code Requirements for Structural Concrete" - ACI 318.
3. "Standard Specification for Precast Reinforced Concrete Manhole Sections" - ASTM C478.
4. "Standard Practice for Minimum Structural Design Loading for Monolithic or Sectional Precast Concrete Water and Wastewater Structures" - ASTM C890

DELTA
SPECIALTY PRECAST CONCRETE ENGINEERS
 860 Hooper Road, Endwell, NY 13760
 delta-eas.com
 Phone (607) 231-6600
 Fax (607) 231-6650

JOB: 2023.030.002
 DESCRIPTION: 990 Gallon Pretreatment Tank
 SHEET NO.: of
 CALCULATED BY: ARN Date 5/9/23
 CHECKED BY: Date

COVER SLAB DESIGN
CONCENTRATED LIVE LOAD

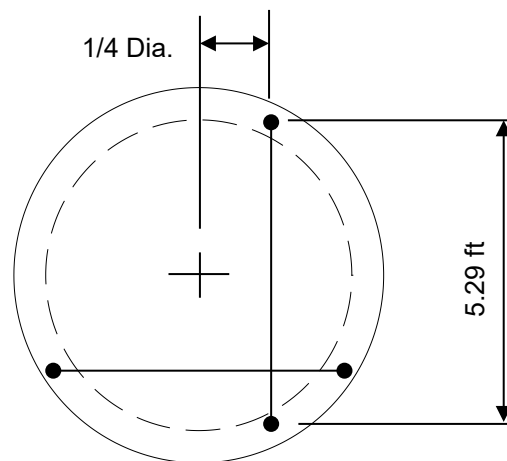
Note:

1.00' of Earth cover with 1.30 Impact Controls
 over 0.00' Earth Cover with 1.30 Impact

Wall Thickness = 4.00 in
 Slab Thickness = 6.00 in
 Earth Cover = 1.00 ft
 Bar cover = 1.50 in
 Impact = 1.30

Two Way Slab

Avg. Span (s) = 5.29 ft
 Dead Loads: Soil = 0.12 ksf
 Concrete = 0.08 ksf
 Additional Uniform Dead Load = 0.00 ksf
 Total (wdl) = 0.20 ksf



$$\begin{aligned} Mdl &= wdl \cdot l^2 / 8 \cdot (0.5) = 0.34 \text{ kip-ft} \\ e &= 4 + .06S = 4.32 \text{ ft} \quad (\text{AASHTO 3.24.3.2}) \\ p &= (Pw \cdot \text{Impact}) / e = 4.82 \text{ kips/ft} \\ MII &= ps / 4 \cdot (0.5) = 3.19 \text{ kip-ft} \\ M_u &= \gamma[\beta(L+I) \cdot MII + \beta D \cdot Mdl] = 7.36 \text{ kip-ft} \end{aligned}$$

$$\text{Avg 'd'} = 3.88 \text{ in}$$

Req. Bar Size and Spacing

$$\text{Main Reinforcing: } A_s = 0.53 \text{ in.}^2/\text{ft.} \quad \text{Use } \#5 @ 7.0 \text{ in.} \quad (\text{Ea. Dir.})$$

$$\begin{aligned} \rho &= A_s / b \cdot d = 0.01131046 \\ \rho \cdot n &= 0.09098574 \end{aligned}$$

Flexure Check:

$$\begin{aligned} a &= A_s F_y / 0.85 f_c b = 0.773 \text{ in} \\ \phi M_n &= \phi \cdot A_s \cdot F_y \cdot (d - (a/2)) = 8.26 \text{ kip-ft} \quad \text{OK} \end{aligned}$$

Cracking Check:

$$\begin{aligned} k &= \sqrt{2\rho n + \rho n^2} - \rho n = 0.345 \\ j &= 1 - (k/3) = 0.885 \\ M &= Mdl + MII = 3.53 \text{ kip-ft} \\ f_s &= M / A_s j d = 23.46 \text{ ksi} \quad \text{OK} \\ dc &= 2.313 \text{ in} \\ A &= 2 \cdot dc \cdot \text{Spacing} = 32.4 \text{ in}^2 \\ Z &= f_s \sqrt[3]{dc \cdot A} = 99 \text{ kips/in} \quad \text{OK} \end{aligned}$$

Note: Shear considered satisfactory per AASHTO 3.24.4

Check minimum reinforcement requirements per AASHTO 8.17.1

Note: Minimum A_s shall be at least 1/8 sq. in./ft (AASHTO 8.20.1)

$$\phi M_n \geq 1.2 \cdot M_{cr}$$

$$\begin{aligned} M_{cr} &= 2.85 \text{ kip-ft} \\ 1.2 M_{cr} &= 3.42 \text{ kip-ft} \quad \text{OK} \end{aligned}$$

DELTA
SPECIALTY PRECAST CONCRETE ENGINEERS
 860 Hooper Road, Endwell, NY 13760
 delta-eas.com
 Phone (607) 231-6600
 Fax (607) 231-6650

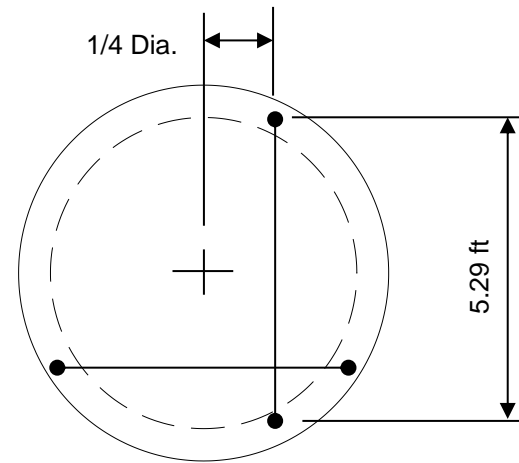
JOB: 2023.030.002
 DESCRIPTION: 990 Gallon Pretreatment Tank
 SHEET NO.: of
 CALCULATED BY: ARN Date 5/9/23
 CHECKED BY: Date

COVER SLAB DESIGN
CONCENTRATED LIVE LOAD

Wall Thickness = 4.00 in
 Slab Thickness = 6.00 in
 Earth Cover = 2.50 ft
 Bar cover = 1.50 in
 Impact = 1.20

Two Way Slab

Avg. Span (s) = 5.29 ft
 Dead Loads: Soil = 0.30 ksf
 Concrete = 0.08 ksf
 Additional Uniform Dead Load = 0.00 ksf
 Total (wdl) = 0.38 ksf



$$Mdl = wdl l^2 / 8 * (0.5) = 0.66 \text{ kip-ft}$$

$$e = 4 + .06S = 4.32 \text{ ft} \quad (\text{AASHTO 3.24.3.2})$$

$$p = (Pw * \text{Impact}) / e = 4.45 \text{ kips/ft}$$

$$Mll = ps / 4 * (0.5) = 2.94 \text{ kip-ft}$$

$$Mu = \gamma[\beta(L+I)*Mll + \beta D * Mdl] = 7.24 \text{ kip-ft}$$

$$\text{Avg 'd' = 3.88 in}$$

Req. Bar Size and Spacing
 Main Reinforcing: As = 0.53 in.²/ft. Use # 5 @ 7.0 in (Ea. Dir.)

$$\rho = As / b * d = 0.01131046$$

$$\rho * n = 0.09098574$$

Flexure Check:

$$a = AsFy / 0.85f'cb = 0.773 \text{ in}$$

$$\phi Mn = \phi * As * Fy * (d - (a/2)) = 8.26 \text{ kip-ft} \quad \text{OK}$$

Cracking Check:

$$k = \sqrt{2\rho n + \rho n^2} - \rho n = 0.345$$

$$j = 1 - (k/3) = 0.885$$

$$M = Mdl + Mll = 3.60 \text{ kip-ft}$$

$$fs = M / As j d = 23.92 \text{ ksi} \quad \text{OK}$$

$$dc = 2.313 \text{ in}$$

$$A = 2 * dc * \text{Spacing} = 32.4 \text{ in}^2$$

$$Z = fs \sqrt[3]{dc * A} = 101 \text{ kips/in} \quad \text{OK}$$

Note: Shear considered satisfactory per AASHTO 3.24.4

Check minimum reinforcement requirements per AASHTO 8.17.1
 Note: Minimum As shall be at least 1/8 sq. in./ft (AASHTO 8.20.1)

$$\phi Mn \geq 1.2 * Mcr$$

$$Mcr = 2.85 \text{ kip-ft}$$

$$1.2 Mcr = 3.42 \text{ kip-ft} \quad \text{OK}$$

DELTA
SPECIALTY PRECAST CONCRETE ENGINEERS
 860 Hooper Road, Endwell, NY 13760
 delta-eas.com
 Phone (607) 231-6600
 Fax (607) 231-6650

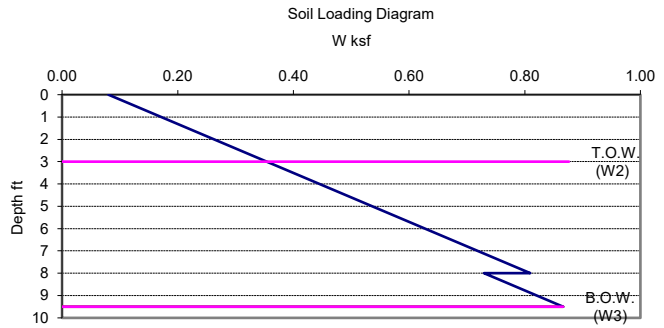
JOB: 2023.030.002
 DESCRIPTION: 990 Gallon Pretreatment Tank
 SHEET NO.: of
 CALCULATED BY: ARN Date 5/9/23
 CHECKED BY: Date

WALL DESIGN

Height= 6.50 ft
 Wall Thickness= 4.00 in
 Inside Diameter= 5.67 ft
 Outside Diameter= 6.33 ft
 Average= 6.00 ft

Analyze compressive force at bottom of wall

Compressive force 'P'=wdl/2= 2.84 kips
 Compressive stress $f_c=P/A=$ 59.15 psi
 Compressive stress allowable=.45 $f'_c=$ 1800.00 psi
 Result= **OK**
 Minimum reinforcing required= 0.17 in.²/ft.
 ref ASTM C478, Art. 14.4.1.1

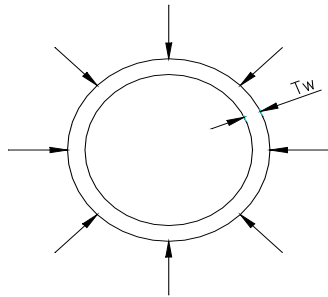


Horizontal line indicates top of wall

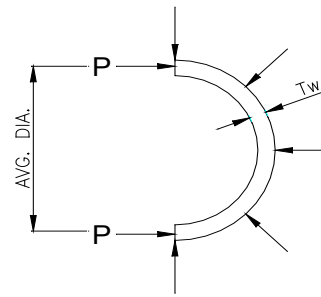
Lateral Earth Pressure

Eq. Lat. Press.= 0.091 kcf
 W2 = 0.35 ksf
 W3 = 0.95 ksf

(Surcharge Applied Over Entire Height of Unit)



PRESSURE DIAGRAM



COMPRESSIVE FORCE



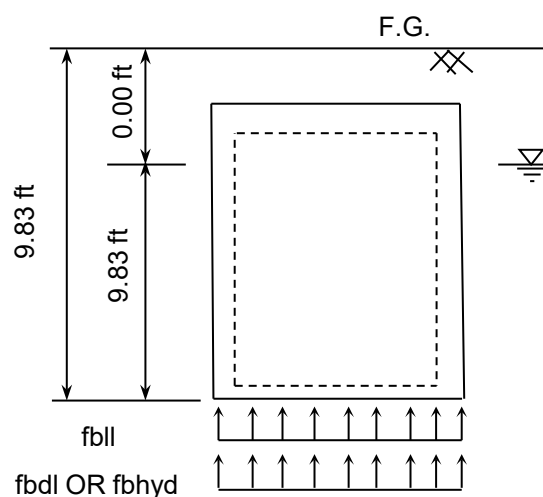
JOB:	2023.030.002
DESCRIPTION:	990 Gallon Pretreatment Tank
SHEET NO.:	of
CALCULATED BY:	ARN Date 5/9/23
CHECKED BY:	Date

BASE SLAB DESIGN

	ID	OD
Inside Diameter =	5.67 ft	6.33 ft
Span =	5.29 ft	
Wall Thickness =	4.00 in	
Slab Thickness =	4.00 in	
Number of Wheels =	1	

Vertical Loads:

Soil =	9.45 kips
Cover slab =	2.36 kips
Walls =	6.13 kips
Other =	
Total Dead Load =	17.94 kips
Live Load =	16.00 kips



Loading Diagram
Ref: ASTM C857 Sec 4.3

Net upward bearing pressure:

Dead Load, fbdl =	0.57 ksf	
Hydrostatic, fbhyd =	0.61 ksf	(9.83 ft * 0.0624 kcf) <== Controls

Live Load, fbll =	+ 0.51 ksf
w =	1.12 ksf
Wu =	1.90 ksf

Mll = fbll l² / 8 * (0.5) =	0.89 kip-ft
Mdl = fbdl l² / 8 * (0.5) OR	
Mhydr = fbhyd l² / 8 * (0.5) =	1.07 kip-ft

Mu = wu l² / 8 * (0.5) = 3.32 kip-ft

Bar Cover =	1.50 in
Avg 'd' =	1.88 in

Req. Bar Size and Spacing

Main Reinforcing: As =	0.53 in.²/ft.	Use	# 5	@	7.0 in	(Ea. Dir.)
------------------------	---------------	-----	-----	---	--------	------------

$\rho = As / b * d = 0.023374945$ NG
 $\rho * n = 0.188037189$

Flexure Check:

a = AsFy / 0.85fcb = 0.773 in
 $\phi Mn = \phi * As * Fy * (d - (a/2)) = 3.52$ kip-ft **OK**

Cracking Check:

k = $\sqrt{2\rho n + \rho n^2} - \rho n = 0.453$
j = 1 - (k/3) = 0.849
M = Mdl + Mll = 1.96 kip-ft
fs = M / As j d = 28.11 ksi **OK**
dc = 2.313 in
A = 2 * dc * Spacing = 32.4 in²
Z = fs $\sqrt[3]{dc * A} = 118$ kips/in **OK**

Shear Check:

Vu@ d = Wu * [span/2 - d] * (0.5) = 2.36 kips/ft
(AASHTO 8-49) $\phi Vc = 2.42$ kips/ft **OK**

Check minimum reinforcement requirements per AASHTO 8.17.1
Note: Minimum As shall be at least 1/8 sq. in./ft (AASHTO 8.20.1)

$\phi Mn \geq 1.2 * Mcr$
Mcr = 1.26 kip-ft
1.2 Mcr = 1.52 kip-ft **OK**



JOB: 2023.030.002
DESCRIPTION: 990 Gallon Pretreatment Tank
SHEET NO.: of
CALCULATED BY: ARN Date 5/9/23
CHECKED BY: Date

Check Buoyancy

Inside Diameter (D)	5.67 ft	Top Slab Thickness	6.00 in	Outside Dia. (OD)	6.33 ft
		Wall Thickness	4.00 in		
Inside Height (H)	6.50 ft	Bottom Slab Thickness	4.00 in	Outside Height (OH)	7.33 ft
Earth Fill (F)	0.00 ft	Water table depth (WT)	0.00 ft		
Unit weight of Concrete (Wc)	150 pcf			Height of Structure above grade (Hg)	0.00 ft
Unit weight of Soil (Ws)	120 pcf				
Unit weight of Water (Ww)	62.4 pcf	Safety Factor Req'd	1.50		

Downward Forces

Concrete Weight	$\pi OD^2 OH/4 - \pi ID^2 H/4 * Wc =$	10,064 lbs
Weight of fill	$\pi * OD^2/4 * F * Ws =$	0 lbs
Additional Weight		lbs
Subtract for openings		- 262 lbs
	Total	9,802 lbs

Upward Buoyant Force

$\pi * OD^2/4 * (OH + F - WT - Hg) * Ww =$	14,416 lbs
Difference	-4,614 lbs

Safety Factor 0.68 < 1.50 **NG**

Note: The safety factor is less than required. See next sheet for solution



JOB: 2023.030.002
 DESCRIPTION: 990 Gallon Pretreatment Tank
 SHEET NO.: of
 CALCULATED BY: ARN Date 5/9/23
 CHECKED BY: Date

WALL OPENINGS:

	Length	Width	
1			
2			
3			
4			
	Dia	Qty	
1	7 in	2	0.53 sf
2			
3			
4			
5			

Total: 0.53 sf
 Equiv. Void: 27 #

TOP SLAB OPENINGS:

	Length	Width	
	Dia	Qty	
	24 in	1	3.14 sf

Total: 3.14 sf
 Equiv. Void: 236 #

JOB:	2023.030.002
DESCRIPTION:	990 Gallon Pretreatment Tank
SHEET NO.:	of
CALCULATED BY:	ARN Date 5/9/23
CHECKED BY:	Date

SOLUTION - Add an extension to the outside of the base slab to engage the soil outside of the structure

Inside Diameter (ID)	5.67 ft	Top Slab Thickness	6.00 in	Outside Dia (OD)	6.33 ft
		Wall Thickness	4.00 in		
Inside Height (Ht)	6.50 ft	Bottom Slab Thickness	4.00 in	Outside Height (OH)	7.33 ft
Earth Fill (F)	0.00 ft	Water table depth (WT)	0.00 ft	Base Extension =	4.00 in
Unit weight of Concrete (Wc)	150 pcf			Height of Structure above grade (Hg)	0.00 ft
Unit weight of Soil (Ws)	120 pcf			Base Slab Dia.(w/Ext.):	7.00 ft
Unit weight of Water (Ww)	62.4 pcf			Safety Factor Req'd	1.50

Downward Forces

Concrete Weight	$\pi OD^2 OH/4 - \pi ID^2 H/4 * Wc =$	10,064 lbs
Weight of fill	$\pi * OD^2/4 * F * Ws =$	0 lbs
Buoyant Weight of Base Extension =		203.9 lbs
Buoyant Weight of soil engaged by extension =		2,815 lbs
Additional Weight	0	0 lbs
Subtract for openings		- 262 lbs
Total		12,820 lbs

Upward Buoyant Force

$\pi * OD^2/4 * (OH + F - WT - Hg) * Ww =$	14,416 lbs
Difference	-1,595 lbs

Safety Factor 0.89 < 1.50 **NG**

Consideration of Soil Wedge not Required

Additional Downward Force Due to Soil Wedge

Assume an interface friction angle, δ of	15 degrees (conservative)
Radius of soil wedge @ surface	4.13 ft @ 1/3 pt of Cone
Perimeter of base extension	25.919 ft
Buoy. weight of soil wedge	9,801 lbs
Add to downward force	12,820 lbs
	22,621 lbs

Safety factor 1.57 > 1.50 **OK**

