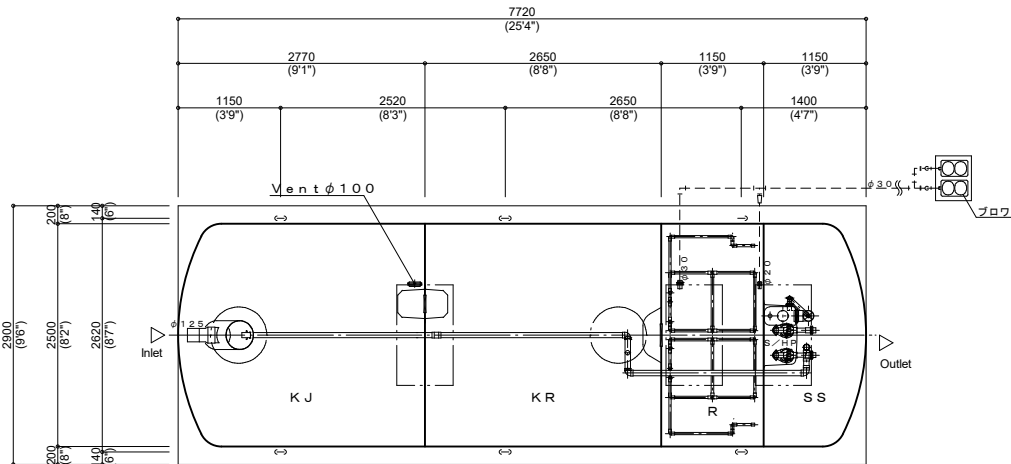
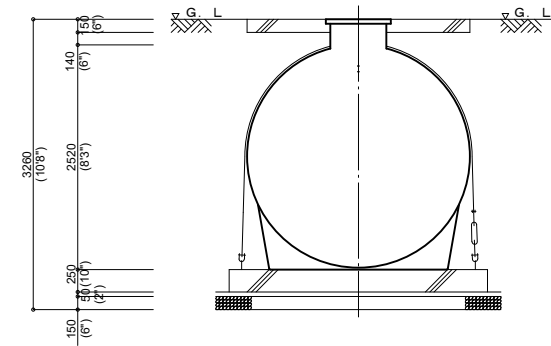


TOP VIEW

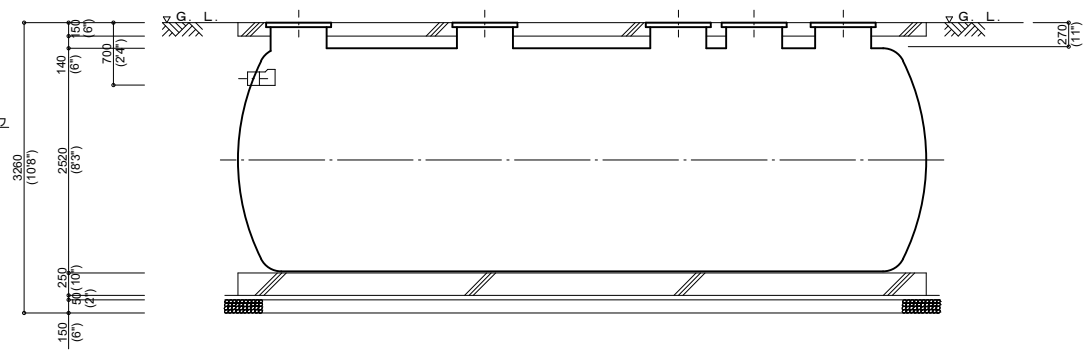


INTERNAL PLAN VIEW

SPECIFICATIONS			
DRAWING NUMBER	GJS***		
TREATMENT METHOD	CONTACT FILTRATION MEDIA METHOD		
MODEL NAME	FUJICLEAN CENII-50		
EQUIVALENT PERSON			
DESIGN HYDRAULIC LOADING			
DESIGN INFLUENT QUALITY	BOD 200mg/L	T-N 45mg/L	SS 160mg/L
DESIGN EFFLUENT QUALITY	BOD 10mg/L	T-N 10mg/L	SS 10mg/L



SECTION VIEW



SECTION VIEW

FUJICLEAN CENII-50

SCALE:
1:60
DATE:
04/17/2020
DRAWN BY:
MIYANO

